

# FAR RAC83

## Air Riveting Tool up to 3/16"

The FAR RAC83 is a solid and reliable air only riveting tool with simple double acting pneumatic actuation. Designed for industrial or manufacturing applications, it is optimal for installations of standard aluminium rivets. Made in Italy, this tool has 12 months warranty.

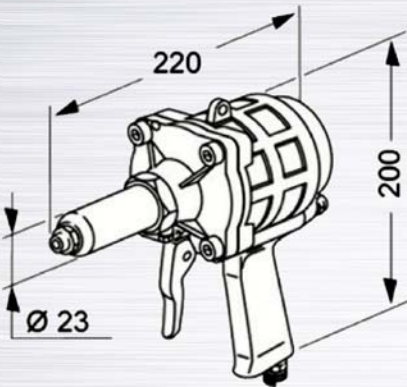
### Features:

- Durable alloy body
- Spring balance attachment for easy operation
- Large size trigger for non-slip grip
- Airline fitting 1/4" BSP thread



1641.01

## Data Sheet



### Setting Capacity

Size	Aluminium	Steel	Stainless
3/32"	•	•	•
1/8"	•	•	•
5/32"	•	•	•
3/16"	•		
1/4"			
5/16"			
3/8"			



Readily accessible nose-pieces at rear of tool body.

### Specifications

Weight: 1.5Kg  
Length: 220mm  
Operating Air Pressure: 6 Bar  
Pulling Force: 5,372N  
Stroke (max): 18mm

Dimensions and specifications are subject to change without notice.

### Package Includes

- Nosepieces for 3/32", 1/8", 5/32" & 3/16" Rivets
- Operating Manual