

# Gesipa® AccuBird®

## Battery Rivet Tool up to 3/16"

The Gesipa® Accubird® is a professional standard battery rivet tool developed and produced in Germany. Designed to set up to 4.8mm stainless steel rivets this tool provides cable free operation for on site installation or production work. Supplied in a steel carry case this tool is electronically controlled and is extremely reliable due to it's low energy transmission via a highly efficient ball screw drive.

### Features:

- Supplied in a metal carry case with 2 batteries and charger
- Well balanced weight distribution and ergonomic grip
- Readily accessible nose pieces and hex key
- Removable nose holder for quick cleaning
- Attachment for hands-free carriage
- Mandrel collecting system
- Red warning light for indicating overload or jam
- Lightweight and durable Li-Ion batteries



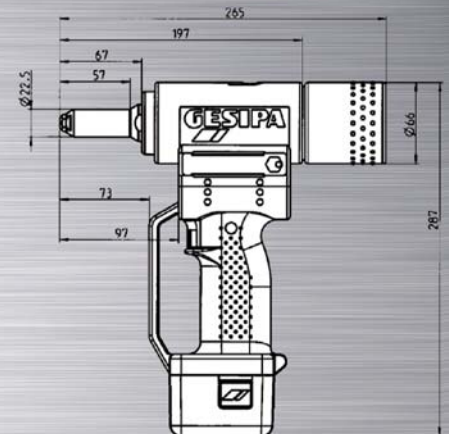
1602.80

## Data Sheet



### Setting Capacity

Size	Aluminium	Steel	Stainless
3/32"	•	•	•
1/8"	•	•	•
5/32"	•	•	•
3/16"	•	•	•
1/4"			
5/16"			



### Specifications

Weight (with battery): 2.2 Kg  
 Length: 265 mm  
 Operating Voltage: 14.4V DC  
 Pulling Force: 8,500 N  
 Stroke: 20 mm

Dimensions and specifications are subject to change without notice.

### Package Includes

- Nosepieces for 3/32", 1/8", 5/32" & 3/16"
- Hex Wrench
- Operating Manual with spares list
- Quick charger operating manual

